



Security Screen Door Hardware

Locks that have been manufactured according to stringent quality specifications and provide high security locking solutions for your home.

Quattro® Hinged Security Screen Door Lock



The new Yale Quattro is the fourth generation of ASSA ABLOY's security door lock with projection bolt, to suit hinged door applications. While the lock may look familiar, the lockbody has been redesigned and incorporates 50% new parts from its predecessor to improve the operation and durability of the snibbing and key locking functions.

Features & Specifications

- Improved snibbing and key locking functions
- Internal padlock symbol denotes door is snib locked
- Contemporary styled furniture with pre-assembled handles and snib
- Patented anti-jemmy extra wide serrated locking bolt
- Compatible with industry standard door preparations and will retrofit in place of the Tasman MK3 lockset
- Can be used with legacy Tasman MK3 accessories such as cylinder, strikers, furniture and 3 Point Locking Kits
- Key overrides snib

Keying

Used with Whitco, Lockwood or Interlock lazy cam cylinders. Locks are supplied less cylinder. Cylinder needs to be ordered separately.

DUALSELECT

DualSelect offers safety and security for all occupants by giving a choice of selecting privacy-lock or deadlock when exiting the home. Turning the key to the first selection engages the privacy lock, this offers security from the outside whilst allowing occupants inside to unlock with the inside snib and safely exit using the internal lever. Turning the key to the second selection engages the deadlock, this provides internal and external security, locking both handles and the snib and requires the key to unlock the door from inside and outside.

S7 SECURITY **D8 DURABILITY**

Security

Conforms with level S7 (Physical Security) Australian Lock Standard - AS4145.2-2008. Successfully tested on security screen doors in accordance with Australian Standard AS 5039-2008: Security Screen Doors and Security Window Grilles and AS 5041-2003: Methods of test.

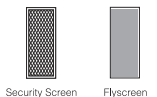
Durability

Conforms with level D8 (Durability) Australian Lock Standard - AS4145.2-2008.

Finishes

Black (BLK), White (WH), Primrose (PRM), Silver (SIL) and Brown (BRN) powdercoat finishes.

Aluminium Steel



Quattro® Hinged Security Screen Door Lock

Single Point (Standard)

Features & Specifications

- Patentable features for centre and auxiliary locks
- Zinc diecast lock mechanism and furniture
- Easy installation
- Suits either left or right hand opening sliding security and screen doors
- Mortice lock with inside snib
- Automatic latching
- Suit standard 20 mm door thickness
- Stainless steel strikes



3 Point Lock Accessory Kit

Application / Description

Used in conjunction with the Quattro Hinged Security Door Lock to provide 3 point locking for additional security.

Features and Specifications

- Universal remote locks and rods
- Snib operates all 3 locks
- Easy installation
- Snap-on-fix actuating bar suits above or below centreline applications and wider door sections
- Patentable auxiliary locks

S7 SECURITY **D8 DURABILITY**

- High performance lock meets or exceeds relevant requirements of Australian Standard AS 4145.2-2008 to Level S7 and D8
- Successfully tested on security screen doors in accordance with Australian Standard AS 5039-2008: Security Screen Doors and Security Window Grilles and AS 5041-2003: Methods of test
- Retrofits previous Whitco Tasman MK3 lock
- Auxiliary bolts serrated for added anti-jemmy security
- Zinc diecast bolt and lock case
- Galvanised steel connecting rods and steel auxiliary lock cover plates
- Stainless steel strikes

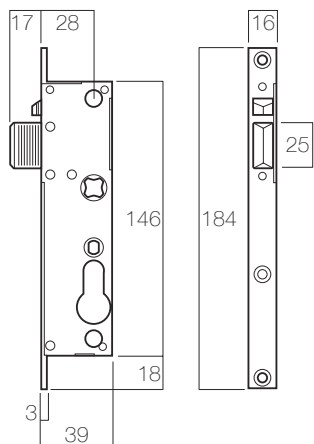
Finishes

Black powdercoat finish.

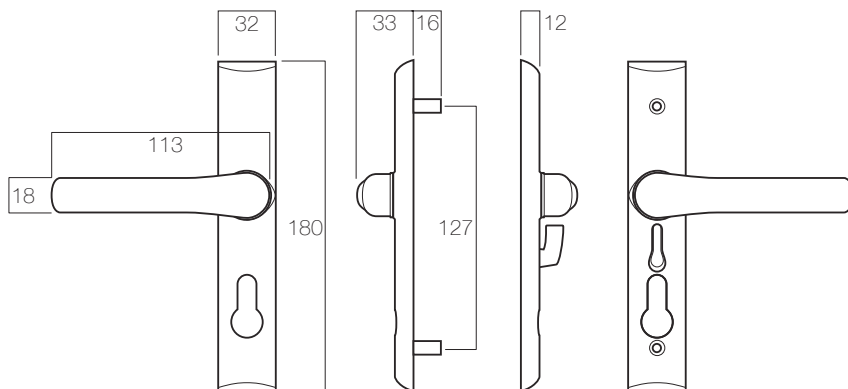


Quattro® Hinged Security Screen Door Lock

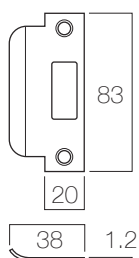
Lock Body



Furniture

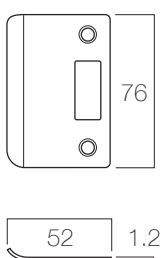


Standard Strike (centre lock)



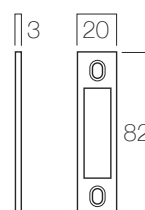
(Stainless Steel)
W804000

Optional Extra Width Strike (centre lock)



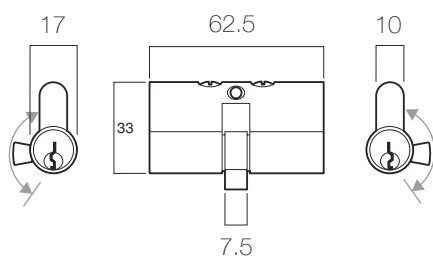
(Stainless Steel)
W804500

Optional Strike Packer (centre lock)



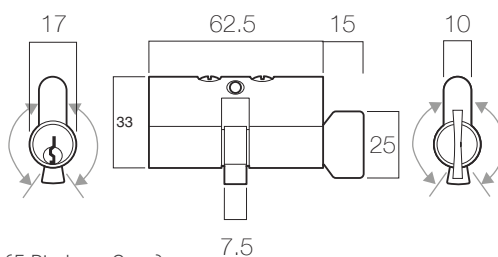
(Zinc Diecast)
W844100

Optional Double Cylinder



(5 Pin Lazy Cam)
W841200

Optional Cylinder and Turn (non handed)

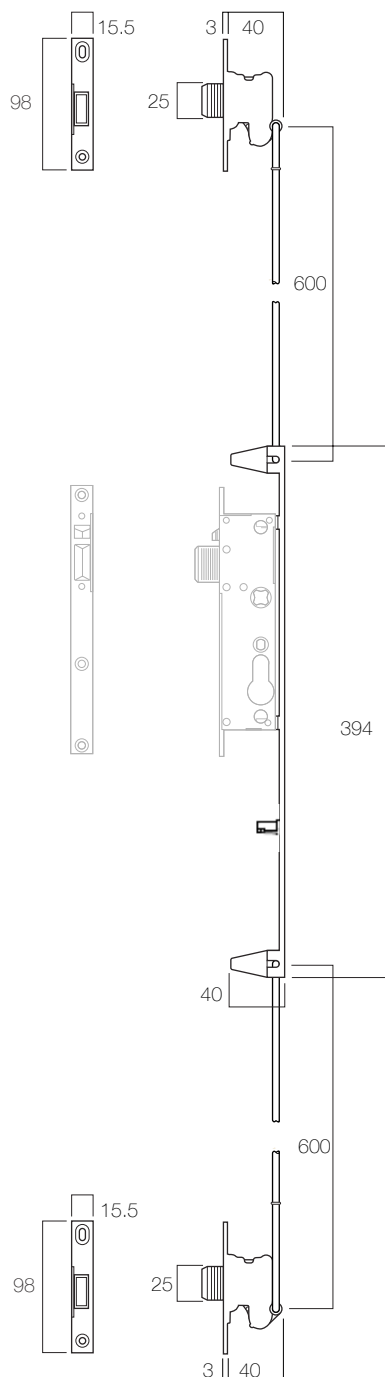


(5 Pin Lazy Cam)
W845900

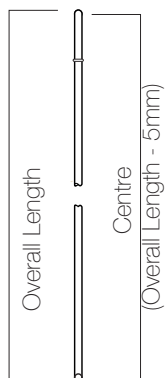
All dimensions are in millimetres.

Quattro® Hinged Security Screen Door Lock

3 Point Lock Accessory Kit

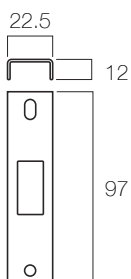


Custom Connecting Rods



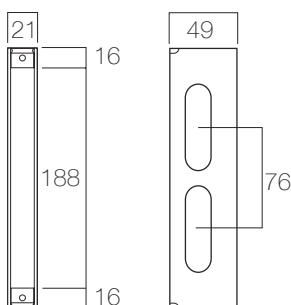
W805000 Connecting Rod 405mm Overall Length
 W805100 Connecting Rod 505mm Overall Length
 W805300 Connecting Rod 1075mm Overall Length
 Minimum Order Quantity of 20/size.

Optional Auxillary Lock Support Plate



W800617

Optional Mounting Lockage (centre lock)

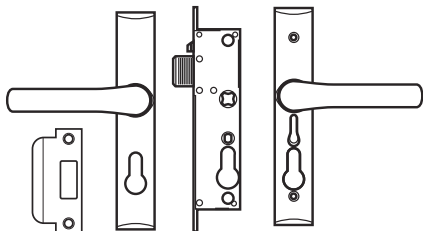


W841100

All dimensions are in millimetres.

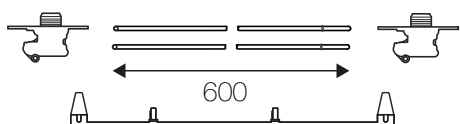
Quattro® Hinged Security Screen Door Lock

Y8104 Quattro Hinged Security Door Lock No Cylinder



Lock Body, Furniture, Striker & Fixing Screws
Cylinder to be ordered separately

Y8100 Quattro Hinged Security Door Lock 3 Point Accessory Kit



Remote Locks, 600mm Connecting Rods,
Connecting Bar, Strikers & Fixing Screws

Ordering Procedure - Accessories and Spare Parts

Description	Part Number
3 Point Connecting Rod - 405mm	W805000
3 Point Connecting Rod - 505mm	W805100
3 Point Connecting Rod - 1075mm	W805300

Minimum Order Quantity of 20.

Ordering Procedure - Lazy Cam

Description	Part Number
Double 5 Pin Cylinder - Random Keyed	W841200
Double 5 Pin Cylinder - Keyed Alike x2	W842200
Double 5 Pin Cylinder - Keyed Alike x4	W842400
Double 5 Pin Cylinder - Keyed Alike x10	W842500
Double 5 Pin Cylinder - Keyed Alike x20	W842600

Ordering Procedure - Trade Pack

Description	Part Number
Quattro Hinged Security Door Lock No Cylinder	Y8104BLK
Quattro Hinged Security Door Lock No Cylinder	Y8104PRM
Quattro Hinged Security Door Lock No Cylinder	Y8104WH
Quattro Hinged Security Door Lock No Cylinder	Y8104SIL

Ordering Procedure - Display Pack

Description	Part Number
Quattro Hinged Security Door Lock DP	Y8104BLKDP
Quattro Hinged Security Door Lock DP	Y8104BRNDP
Quattro Hinged Security Door Lock DP	Y8104PRMDP
Quattro Hinged Security Door Lock DP	Y8104WHDP

Ordering Procedure

Description	Part Number
Quattro 3 Point Lock Accessory Kit	Y8100/H3PT
Quattro 3 Point Lock Accessory Retrofit Kit	Y8100/H3PT/RF

Description	Part Number
Standard Striker - Centre Lock	W804000
Extra Width Striker - Centre Lock	W804500
Striker Packer - Centre Lock	W844100
3 Point Auxillary Lock Support Plate	W800600
Mounting Lock Cage - Centre Lock	W841100

Minimum Order Quantity may apply - refer to current price book for details.

Description	Part Number
Cylinder with Turn 5 Pin Cylinder - Random Keyed	W845900
Cylinder with Turn 5 Pin Cylinder - Keyed Alike x2	W845902
Cylinder with Turn 5 Pin Cylinder - Keyed Alike x4	W845904

Quattro® Sliding Security Screen Door Lock



The new Yale Quattro Sliding Security Door Lock incorporates Yale's advanced safety and security feature DualSelect® and is ideal for use in residential applications. It shares similar design cues with that of its hinged counterpart, to compliment the total Yale offer.

Features & Specifications

- Concealed fixing screws from the outside of the door for a cleaner appearance and increased security
- Compatible with industry standard door preparation
- Retrofittable with Lockwood 8653
- Suit standard door thickness 20mm
- Internal padlock symbol denotes door is snib locked
- Contemporary styled furniture with pre-assembled snib
- 3 Point Locking Kit operation is driven by the inside snib for increased security when "day latched"
- Key overrides snib

Keying

Used with Whitco, Yale or Lockwood lazy cam cylinders. Locks are supplied less cylinder. Cylinder needs to be ordered separately.

DUALSELECT

DualSelect offers safety and security for all occupants by giving a choice of selecting privacy-lock or deadlock when exiting the home. Turning the key to the first selection engages the privacy lock, this offers security from the outside whilst allowing occupants inside to unlock with the inside snib and safely exit using the internal lever. Turning the key to the second selection engages the deadlock, this provides internal and external security, locking both handles and the snib and requires the key to unlock the door from inside and outside.

S7 SECURITY D8 DURABILITY

Security

Conforms with level S7 (Physical Security) Australian Lock Standard - AS4145.2-2008. Successfully tested on security screen doors in accordance with Australian Standard AS 5039-2008: Security Screen Doors and Security Window Grilles and AS 5041-2003: Methods of test.

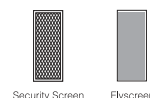
Durability

Conforms with level D8 (Durability) Australian Lock Standard - AS4145.2-2008.

Finishes

Black (BLK), White (WH), Primrose (PRM) and Silver (SIL) powdercoat finishes.

✓ Aluminium ✓ Steel



Quattro® Sliding 3 Point Locking Kit

Single Point (Standard)

Features & Specifications

- Zinc diecast lock mechanism and furniture
- Easy installation
- Suits either left or right hand opening sliding security and screen doors
- Automatic latching
- Zinc strike standard, with optional upgrade to High Strength Stainless Steel Strikes as part of Yale Quattro Sliding 3 point kit.



3 Point Lock Accessory Kit

Application / Description

Used in conjunction with the Quattro Sliding Security Door Lock to provide 3 point locking for additional security.

Features and Specifications

- Universal remote locks and rods
- Snib operates all 3 locks
- Easy installation
- Snap-on-fix actuating bar suits above or below centreline applications and wider door sections

S7 SECURITY **D8 DURABILITY**

- High performance lock meets or exceeds relevant requirements of Australian Standard AS 4145.2-2008 to Level S7 and D8
- Successfully tested on security screen doors in accordance with Australian Standard AS 5039-2008: Security Screen Doors and Security Window Grilles and AS 5041-2003: Methods of test
- Zinc diecast bolt and lock case and Galvabond auxiliary cover plates
- Galvanised steel connecting rods
- Stainless steel strikes

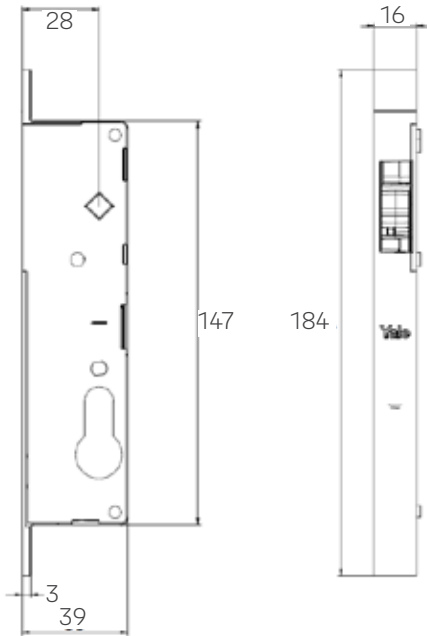
Finishes

Black powdercoat finish.

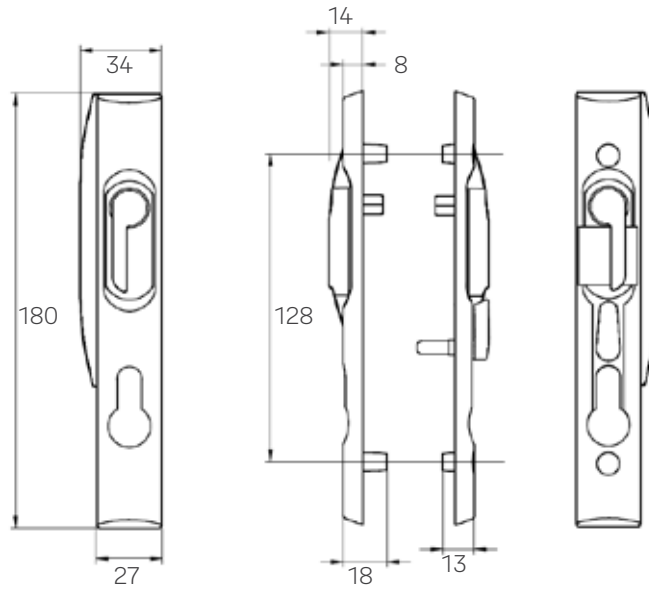


Quattro® Sliding 3 Security Screen Door Lock

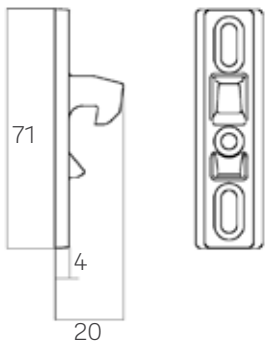
Lock Body



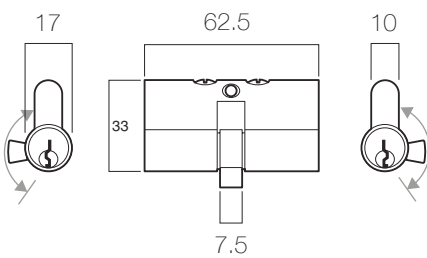
Furniture



Standard Strike (centre lock)

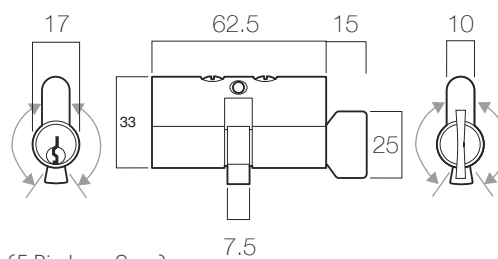


Optional Double Cylinder



(5 Pin Lazy Cam)
W841200

Optional Cylinder and Turn (non handed)



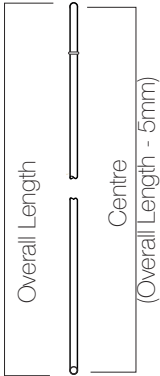
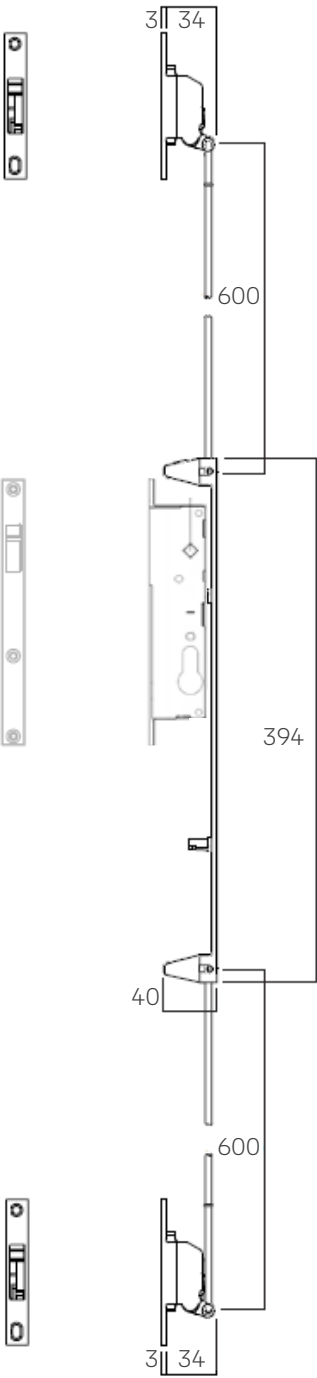
(5 Pin Lazy Cam)
W845900

All dimensions are in millimetres.

Quattro® Sliding 3 Security Screen Door Lock

3 Point Lock Accessory Kit

Custom Connecting Rods

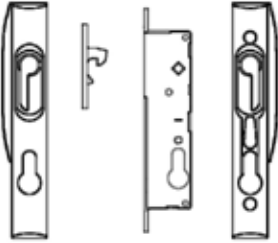


W805000 Connecting Rod 405mm Overall Length
 W805100 Connecting Rod 505mm Overall Length
 W805300 Connecting Rod 1075mm Overall Length
 Minimum Order Quantity of 20/size.

All dimensions are in millimetres.

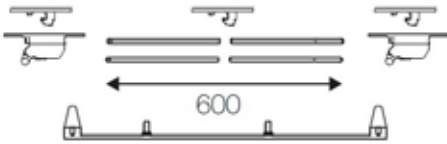
Quattro® Sliding 3 Security Screen Door Lock

Y8104 Quattro Sliding Security Door Lock No Cylinder



Lock Body, Furniture, Striker & Fixing Screws
Cylinder to be ordered separately

Y8100 Quattro Sliding Security Door Lock 3 Point Accessory Kit



Remote Locks, 600mm Connecting Rods,
Connecting Bar, Strikers & Fixing Screws

Ordering Procedure - Trade Pack

Description	Part Number
Quattro Sliding Security Door Lock No Cylinder - Black	Y8103BLK
Quattro Sliding Security Door Lock No Cylinder - White	Y8103WH
Quattro Sliding Security Door Lock No Cylinder - Primrose	Y8103PRM
Quattro Sliding Security Door Lock No Cylinder - Silver	Y8103SIL

Ordering Procedure

Description	Part Number
Quattro 3 Point Lock Accessory Kit	Y8100/S3PT
Quattro 3 Point Lock Accessory Retrofit Kit	Y8100/S3PT/RF

Ordering Procedure - Lazy Cam

Description	Part Number
Double 5 Pin Cylinder - Random Keyed	W841200
Double 5 Pin Cylinder - Keyed Alike x2	W842200
Double 5 Pin Cylinder - Keyed Alike x4	W842400
Double 5 Pin Cylinder - Keyed Alike x10	W842500
Double 5 Pin Cylinder - Keyed Alike x20	W842600

Description	Part Number
Cylinder with Turn 5 Pin Cylinder - Random Keyed	W845900
Cylinder with Turn 5 Pin Cylinder - Keyed Alike x2	W845902
Cylinder with Turn 5 Pin Cylinder - Keyed Alike x4	W845904

ASSA ABLOY Australia Head Office

ASSA ABLOY Australia Pty Limited
235 Huntingdale Road, Oakleigh
Victoria, 3166 Australia

1300 LOCK UP (1300 562 587)
customerservice.au@assaabloy.com
assaabloyopeningsolutions.com.au

yalehome.com.au



Disclaimer

Whilst every effort has been made to ensure that the information (including product images and drawings) contained in this brochure is accurate at the time of publication, ASSA ABLOY Australia Pty Limited ("ASSA ABLOY") recommends that you consult ASSA ABLOY or its agents prior to placing an order to ascertain current information on specific products, as ASSA ABLOY reserves the right to make changes without notice. ASSA ABLOY will not be liable for any injury, loss or damage whatsoever, arising from any errors or omissions in the information contained in the brochure or arising from the use or application of the information contained herein. © 2022 copyright by ASSA ABLOY All rights reserved

ASSA ABLOY Australia Pty Limited ABN 90 086 451 907 © 2023_03 | MC13765