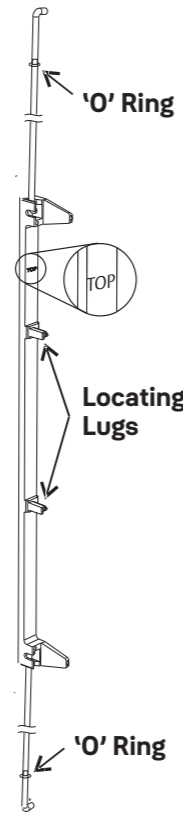
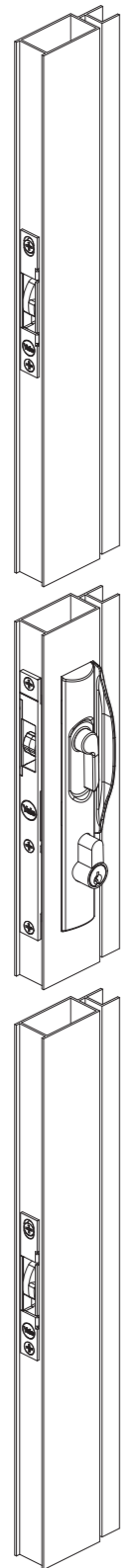
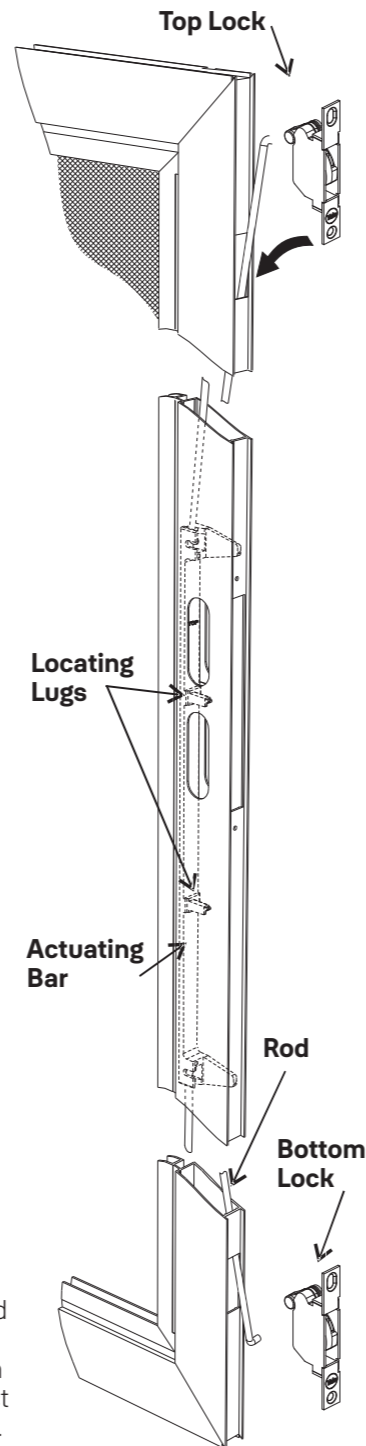


INSTALLATION INSTRUCTIONS



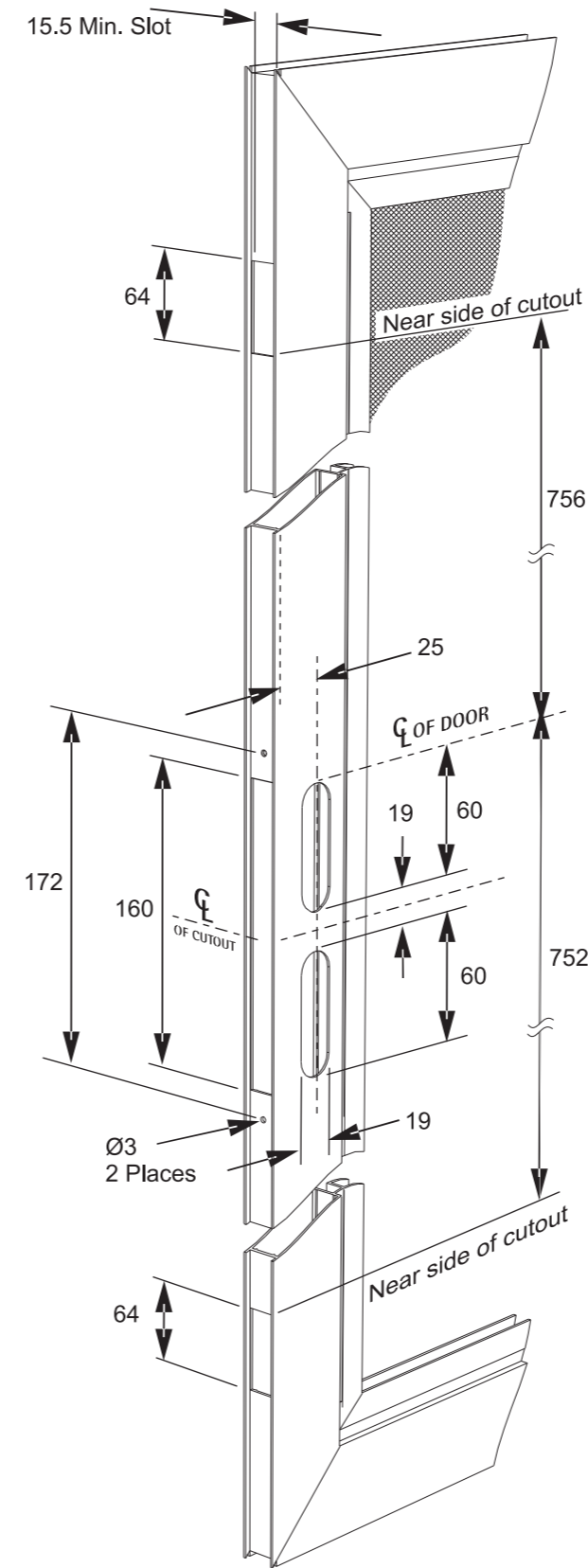
Ensure Actuating bar and Rods are assembled as shown prior to assembly to the door frame. With the 'TOP' mark facing the top of the door.



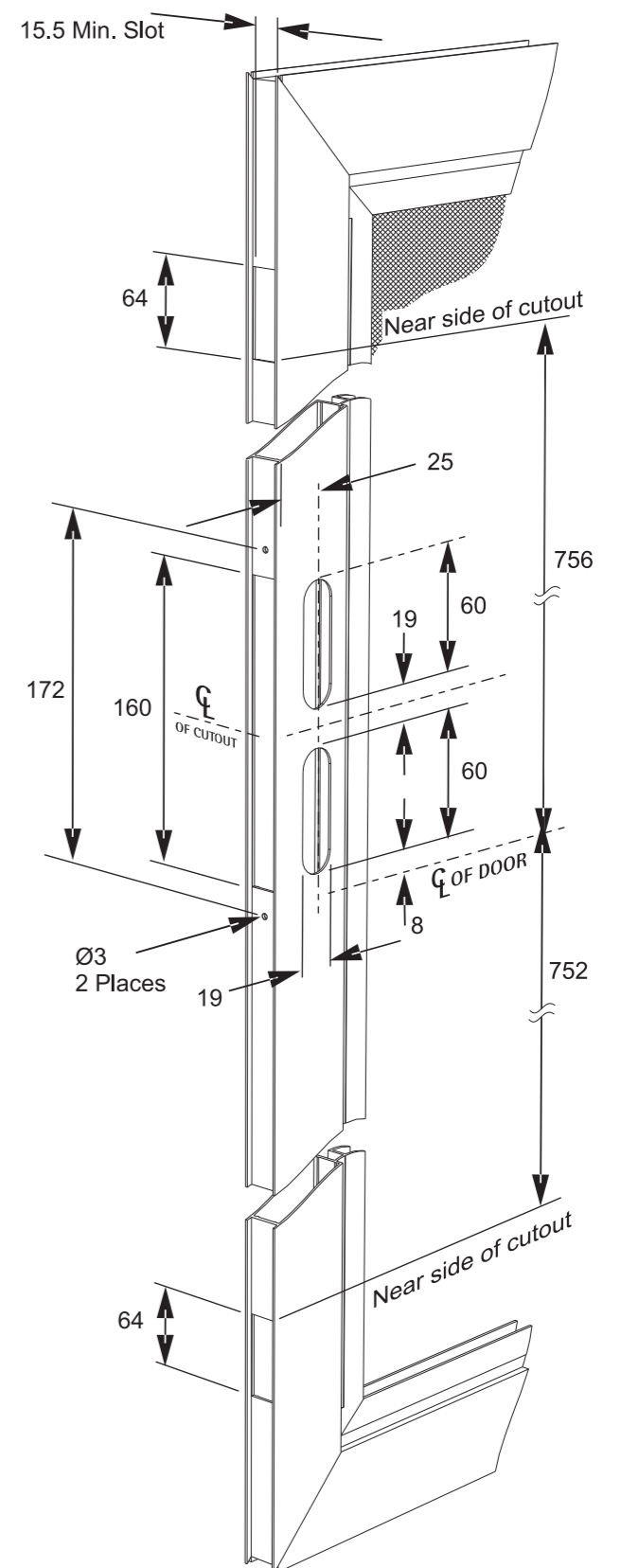
Keeping the Locating Lugs of the Actuating bar facing the front edge of the stile, insert the rod assembly through the top cut-out, and slide it through the door section. With the Top lock in the locked position, connect the rod and push into place.

Pull bottom rod end through bottom cut-out. Connect to Bottom Lock, and push into place.

Mounting of the Handle below the centreline
Both sides of the door stile must be cut out to the dimensions given. Start with the centreline of the door.

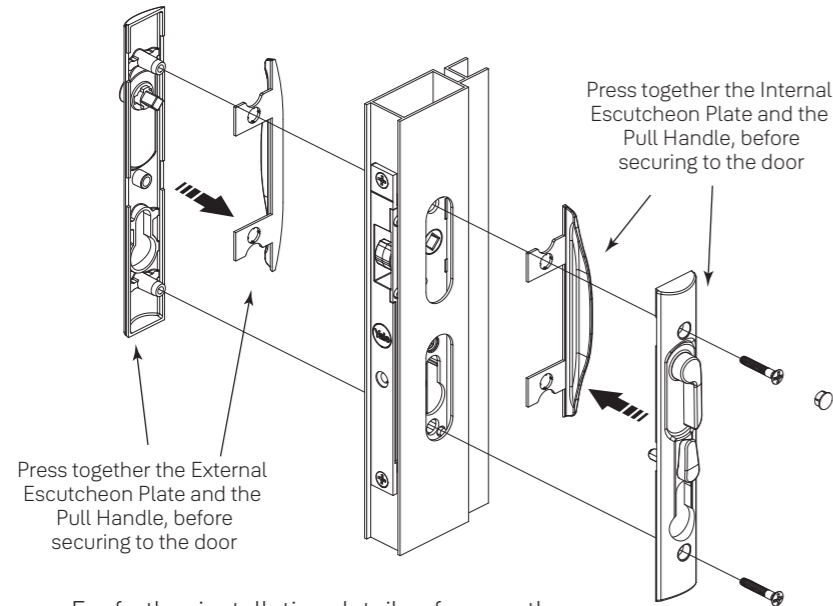


Mounting of the Handle above the centreline
Both sides of the door stile must be cut out to the dimensions given. Start with the centreline of the door.



2

After ascertaining the handing configuration required, simply press the desired handle plates together and install the operating levers and external restrictor plate as required. Then secure the furniture plates to the door section using the two 25mm screws & plugs supplied.



For further installation detail, reference the standard Yale Quattro Sliding single point lock Instructions

4

Installation of Top Auxiliary Lock

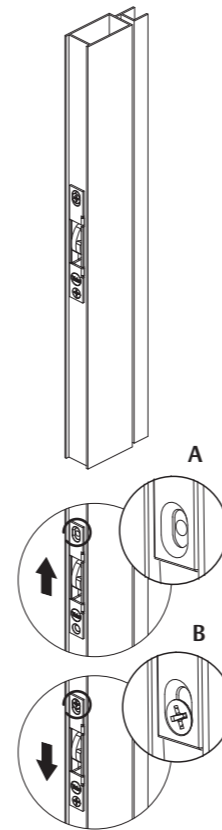
Step A Ensure the lock is in the "Secure" (Deadlock) position. Gently push the top lock until it stops.

Drill a Ø3mm hole in the centre of the slot, and loosely fit the first fixing screw.

Step B Push the lock towards the top of the door, tighten the first screw.

Check the beak position as per Step 5. Unlock and lock the main lock to check operation.

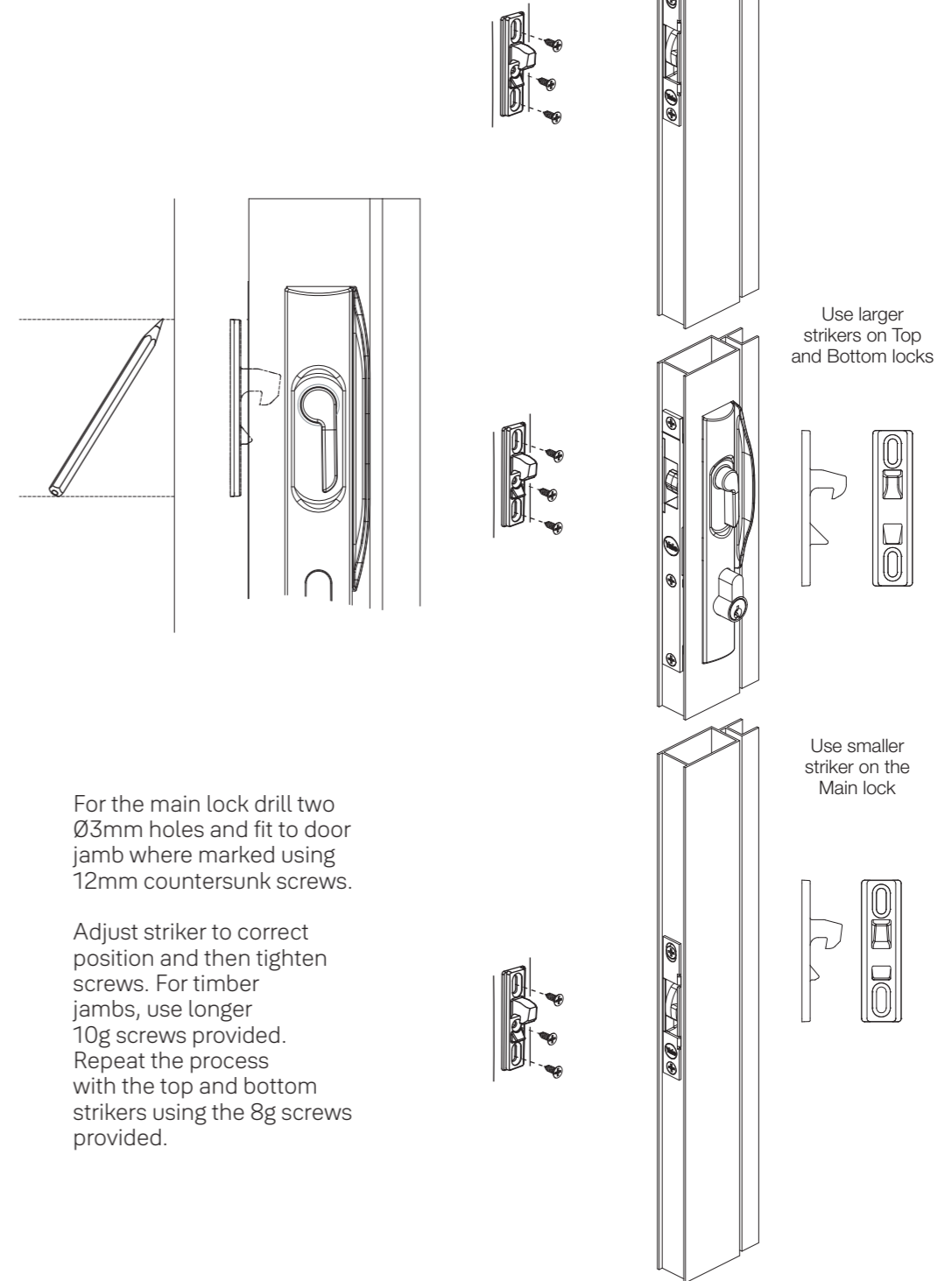
Ensure the lock is in the "Secure"(Deadlock) position, drill and fasten the second screw.



6

Mounting the Striker

With the strikers inserted in the main lock body, and the top and bottom locks, either mark the position on the outside of the jamb or remove the backing from the tape and allow the strikers to stick to the frame. Remove strikers from locks.



3

Installation of Bottom Auxiliary Lock

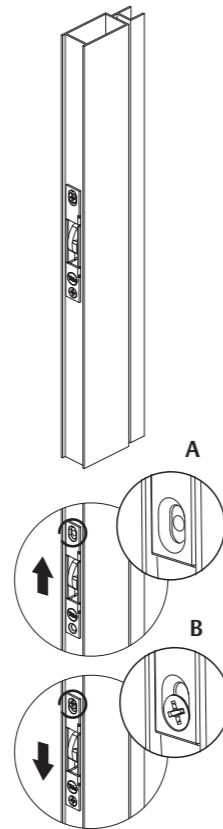
Step A Ensure the lock is in the "Secure" (Deadlock) position. Gently push the bottom lock until it stops.

Drill a Ø3mm hole in the centre of the slot, and loosely fit the first fixing screw.

Step B Push the lock towards the bottom of the door, tighten the first screw.

Check the beak position as per Step 5. Unlock and lock the main lock to check operation.

Ensure the lock is in the "Secure" (Deadlock) position, drill and fasten the second screw.



5

Checking of Top and Bottom Auxiliary Locks

For correct function, the beak should remain secure when pressure is applied in deadlocked state.

To check correct function, deadlock the door and apply downwards pressure with a screw driver, in position shown. If the beak releases, the lock is now out of sync. Re-synchronise the lock and adjust the lock slightly downwards. Deadlock, and repeat test until the beak is secure.

