



Quattro Hinged 3 Point Lock Kit

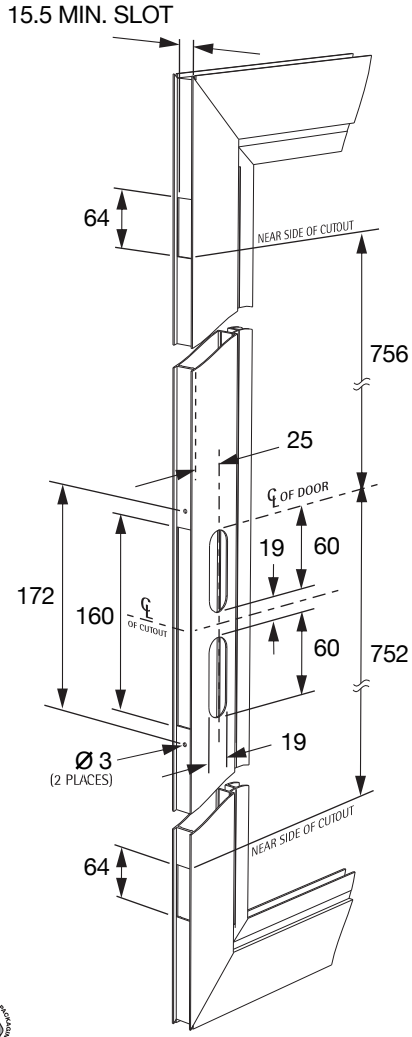
Fitting Instructions



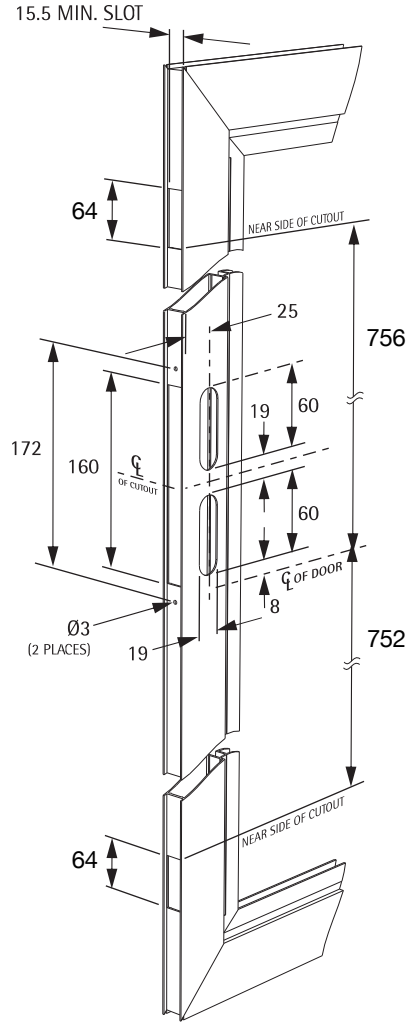
Door Preparation

Both sides of the door stile must be cut to the dimensions given.
Start with the centreline of the door.
All dimensions in millimetres.

Mounting of handles below door centreline



Mounting of handles above door centreline



YALE WARRANTY

AUSTRALIAN CONSUMER LAW GUARANTEES

AUSTRALIAN CONSUMER LAW GUARANTEES, ASSA ABLOY Australia Pty. Limited ACN 086 451 907 ("ASSAABLOY") guarantees all of its branded products in accordance with the Australian Consumer Law

- Warranty** - ASSA ABLOY also warrants that each of its YALE branded products with which this document is given will be free of defects in material and workmanship (including mechanical parts) for a period of 10 years from the date of purchase of the product, subject to the limitations and exclusions set out below ("Warranty").
- Limitations** - Unless otherwise expressly provided for in writing and subject to the exclusions set out in this Warranty:
 - Electrical and Electronic Components** - Electrical and electronic components used in ASSA ABLOY's YALE branded products (excluding batteries) are warranted to be free of defects in material and workmanship for a period of 12 months from the date of purchase. Batteries are not covered by the Warranty.
 - Keys** - Keys used in ASSA ABLOY's YALE branded products are warranted to be free of defects in material and workmanship for a period of 12 months from the date of purchase.
 - Finish** - The Warranty does not apply to the finishes of YALE branded products nor to cosmetic or appearance damage.
 - Stainless Steel** - Stainless Steel is not stain free but stains less, compared to ordinary carbon steel. Tea staining is a natural process that may happen to stainless steel products if not cleaned regularly and pursuant to ASSA ABLOY instructions. The Warranty therefore does not cover tea staining of Stainless Steel products.
- Claiming on the Warranty**
 - If you purchased a YALE branded product from a retailer or other reseller (as opposed to direct from ASSA ABLOY) and wish to claim on the Warranty to the retailer or other reseller, you must, at your own expense:
 - return the product securely packed to protect against damage to the product; and
 - provide details of: i. the claim on the Warranty; ii. proof of original purchase; and iii. your name, address, email address (if you have one) and telephone number; to the retailer or other reseller from whom you originally purchased the product, within the respective warranty period referred to above.
 - If you purchased a YALE branded product direct from ASSA ABLOY or otherwise wish to claim on the Warranty direct to ASSA ABLOY, you must, at your own expense: i. first contact the ASSA ABLOY Customer Service Department at the contact details below; to: a. provide ASSA ABLOY with details of the claim on the Warranty; b. organise to provide ASSA ABLOY with proof of original purchase; and c. obtain a Case Number; ii. securely pack the product to protect against damage to the product; iii. include a copy of the original proof of purchase in the packaging; iv. clearly mark the Case Number on the outside of the packaging; and then return the product direct to ASSA ABLOY at the address below, within the respective warranty period referred to above.
- Products returned direct to ASSA ABLOY without a Case Number may not be accepted by ASSA ABLOY.
- The issue of a Case Number and acceptance of returned products by ASSA ABLOY's staff does not constitute acceptance by ASSA ABLOY of the claim on the Warranty.
- ASSA ABLOY will (or authorise the retailer or other reseller from whom you originally purchased the product to) assess any claim you may make on the Warranty and if, in ASSA ABLOY's reasonable opinion, the Warranty applies, ASSA ABLOY will at its own option and cost (or authorise the retailer or other reseller from whom you originally purchased the product to): i. provide you with the same or (if the same product is no longer available) the closest similar ASSA ABLOY YALE branded product; or ii. repair the product and return it to you; or iii. refund the price you paid for the product. This is the only obligation of ASSA ABLOY under the Warranty. ASSA ABLOY will bear its own expenses of doing those things; and you must bear any other expenses of claiming on the Warranty.

- If products are returned to ASSA ABLOY for which, in ASSA ABLOY's reasonable opinion, the Warranty does not apply, the products will be returned to you freight collect.
- Exclusions**

The Warranty does not apply to:

 - ASSA ABLOY's YALE branded products which have been improperly installed or fitted or for which the ASSA ABLOY's installation and fitting instructions have not been followed;
 - ASSA ABLOY's YALE branded products which have not been properly maintained in accordance with ASSA ABLOY's care and maintenance recommendations (ASSA ABLOY's care and maintenance recommendations can be found at www.assaabloy.com.au);
 - ASSA ABLOY's YALE branded products with which batteries other than those specified by ASSA ABLOY have been used;
 - ASSA ABLOY's YALE branded products which have been used in a way or manner not within the scope and limitations of the technical and other specifications for the products published from time to time by ASSA ABLOY;
 - ASSA ABLOY's YALE branded products which are made using components or specifications provided or requested by someone other than ASSA ABLOY;
 - fair wear and tear;
 - ASSA ABLOY's YALE branded products which have been modified or repaired without the written authorisation of ASSA ABLOY;
 - ASSA ABLOY's YALE branded products with which substitute or replacement parts or cylinders, other than genuine ASSA ABLOY parts or cylinders, have been used;
 - ASSA ABLOY's YALE branded products which have been subject to accident, abuse, misuse, neglect or damage;
 - defects or deterioration caused to ASSA ABLOY's YALE branded products from being exposed to corrosives, including (without limitation) vapours, chemicals, abrasive compounds, contamination, pollution, coastal air, salt spray, high humidity;
 - ASSA ABLOY's YALE branded products which are not new when purchased by the original purchaser;
 - anyone other than original purchasers of new ASSA ABLOY's YALE branded products;
 - ASSA ABLOY's YALE branded products which are sold by ASSA ABLOY or a retailer of other reseller of ASSA ABLOY as "B" class or seconds;
 - ASSA ABLOY's YALE branded products which were not originally sold in Australia by ASSA ABLOY;
 - ASSA ABLOY's YALE branded products which have had any of the brands, marks, patented plates, numbers or other information of ASSA ABLOY on the products defaced or removed;
 - the removal, refitment or replacement of ASSA ABLOY's YALE branded products or associated charges; or
 - personal injury, property damage direct, indirect, special or consequential loss or damage, however caused.
- Australian Consumer Law Requirements**

The Australian Consumer Law also requires ASSA ABLOY to state in relation to the Warranty that:

 - ASSA ABLOY gives the Warranty and the name, address, telephone number and email address of ASSA ABLOY are:

ASSA ABLOY Australia Pty. Ltd.
ACN 086 451 907
235 Huntingdale Road, Oakleigh, Victoria 3166
1300warranty@assaabloy.com
Tel: 1300WARRANTY
 - The Warranty is in addition to other rights and remedies you may have under a law in relation to the goods to which the Warranty relates.
 - Our goods come with guarantees that cannot be excluded under the Australian Consumer Law. You are entitled to a replacement or refund for a major failure and for compensation for any other reasonably foreseeable loss or damage. You are also entitled to have the goods repaired or replaced if the goods fail to be of acceptable quality and the failure does not amount to a major failure.

1

Ensure Actuating Bar and Rods are assembled as shown prior to assembly to the door frame. With the "TOP" mark facing the top of the door.

2

Top Lock

Locating Lugs

Actuating Bar

Bottom Lock

Rod

3

With the lock bolt to the top, fully out and deadlocked, insert the centre lock into the cutout. Ensure the Locating Lug on the Actuating Bar engages correctly and secure with 2x 12mm screws. The lock must be mounted in the position shown, as the product warranty cannot be assured if mounted upside down.

Insert cylinder lock so cam turns towards front of door and secure with 32mm screw. Do not overtighten the screw.

Turn key to ensure the lock is functioning. Leave in locked position and remove the key

Ensure that both Top and Bottom bolts are deadlocked.

Drill 3mm hole in the centre of the slotted holes of the Top and Bottom locks

Lightly fix both locks with the 12mm fixing screws supplied in slotted holes only. NOTE: Do not drill other fixing holes until final adjustment.

4

Insert connecting rod into lock body.

Prepare escutcheon by rotating lever downwards to the required handing position.

5

Secure escutcheon plates with 25mm thread forming screws (note: these screws form their own thread). Fit mounting hole plugs.

Fit escutcheon plates ensuring snib is at 45° and on the inside face of the door with handle operating downwards.

INSIDE HANDLE SHOWN

6

Insert key and check function of the handle and the top, bottom and centre locks. Ensure that:

- Bolts retract and move freely,
- Bolt and handle will not operate in locked position

NOTE: The auxiliary bolt must be depressed for the locking mechanism to operate.

Unlock cylinder, slide top and bottom locks using light finger pressure to just fully retract bolts. Tighten screws.

Check operation with the key and snib. Ensure that the Top and Bottom bolts are:

- Deadlocked in the locked position.
- Flush in unlocked position, adjust if necessary.

Drill 3mm hole through the other fixing hole or the Top and Bottom locks and secure with 2x 12mm screws supplied. (Refer diagram A)

7

Hold door in closed position and mark the door jamb level with match mark on the front of the centre lock body. From the strikers supplied with the accessory kit, select the one with the tongue. Position striker with the top in line with the mark just made. Mark the position of the screw holes and the bolt recess to a depth of 20mm. Fix the strike using the 25mm screws supplied

Mark the location for the Top and Bottom bolts. Using the two strikers mark the position of the screw holes and bolt recesses. Cut out bolt recesses to a depth of 20mm and drill holes. Fix the strikers using the 25mm screws supplied.

NOTE: Operation of the lock requires the auxiliary bolt to be depressed against the striker. This requires a maximum clearance of 3mm between the door stile and striker.

Keeping the Locating Lugs of the Actuating Bar facing the front edge of the stile, insert the rod assembly through the top cut-out and slide it through the door section.

With the Top Lock in the locked position connect the rod and push into place.

Pull bottom rod end through bottom cut-out. Connect to Bottom Lock and push into place.

ASSA ABLOY

An ASSA ABLOY Group brand
 ASSA ABLOY Australia Pty Limited
 235 Huntingdale Road, Oakleigh VIC 3166
 ABN 90 086 451 907 © 2018