

# Pinnacle Bi-Fold Mortice Lock

Aria or Uno Furniture



ASSA ABLOY

ASSA ABLOY, the global leader  
in door opening solutions.

## Installation Instructions

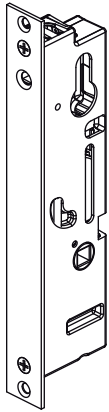
**Application:** Provides multipoint locking with secure deadlocking for aluminium folding doors.

### Tools Required:

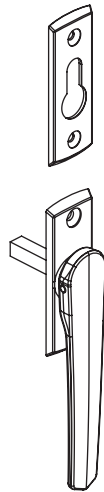
- Drill
- 3.2mm Drill Bit
- 20.0 Drill Bit

- Phillips Screwdriver #2
- Square Screwdriver #1

### Pack Contents:

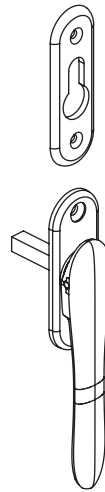


Mortice Bi-fold lock

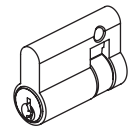


Aria bi-fold  
handle & escutcheon

or



Uno bi-fold  
handle & escutcheon



Half Cylinder



M5 Cylinder fixing screw



8g x 7.5 Screws



8g x 5/8 Screws



Shootbolt Rod  
1.3m



Shootbolt Rod  
1.0m



Plastic 'D' Tip



Steel Rod Tip Pin

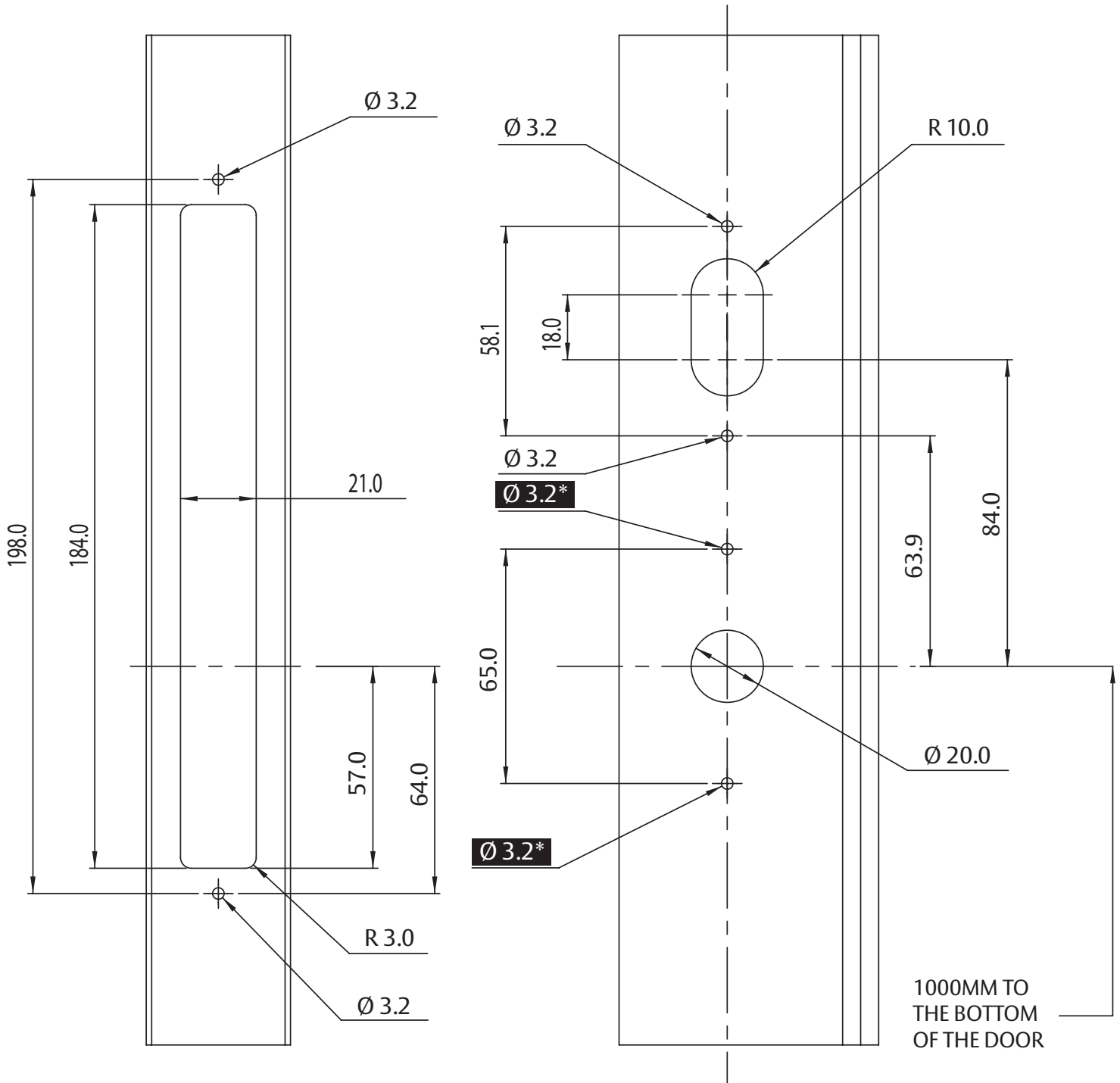
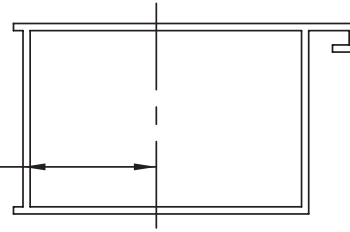
### 1. Door Preparation

Route the door as shown in the routing diagram.

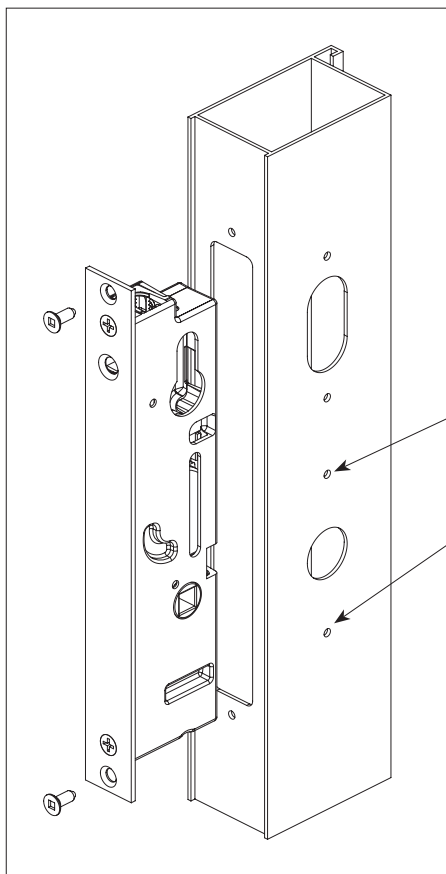
### \* Please Note:

Furniture is face fixed into aluminium, not into lockbody as Twinbolt Lock

30mm BACKSET ROUTING IS 28mm FROM FACE  
35mm BACKSET ROUTING IS 33mm FROM FACE  
40mm BACKSET ROUTING IS 38mm FROM FACE

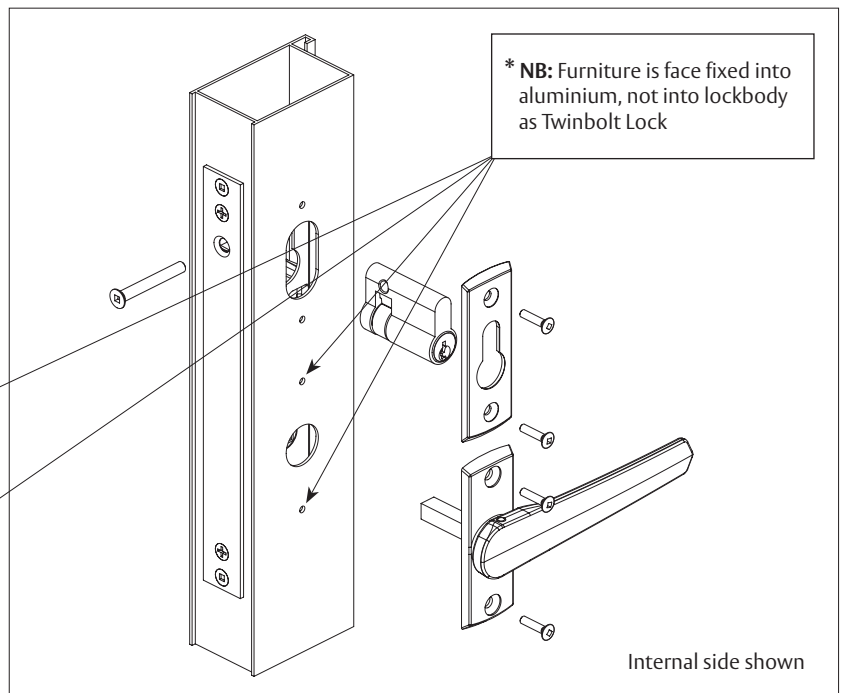


NB: Route inside face only



## 2. Fixing Lock

- Place the lock assembly into the stile
- Fix the lock onto the stile using the two 8g x 7.5 screws



\* **NB:** Furniture is face fixed into aluminium, not into lockbody as Twinbolt Lock

Internal side shown

## 3. Fixing Furniture and Cylinder

- Insert the drive bar (spindle) on the bi-fold handle into the square drive hole in the lock
- Fix the bi-fold handle to the extrusion using two 8g x 5/8 screws
- Place the cylinder through the cylinder hole
- Fix cylinder using the M5 cylinder fixing screw as supplied
- Place cylinder escutcheon over the cylinder and fix using two 8g x 5/8 screws

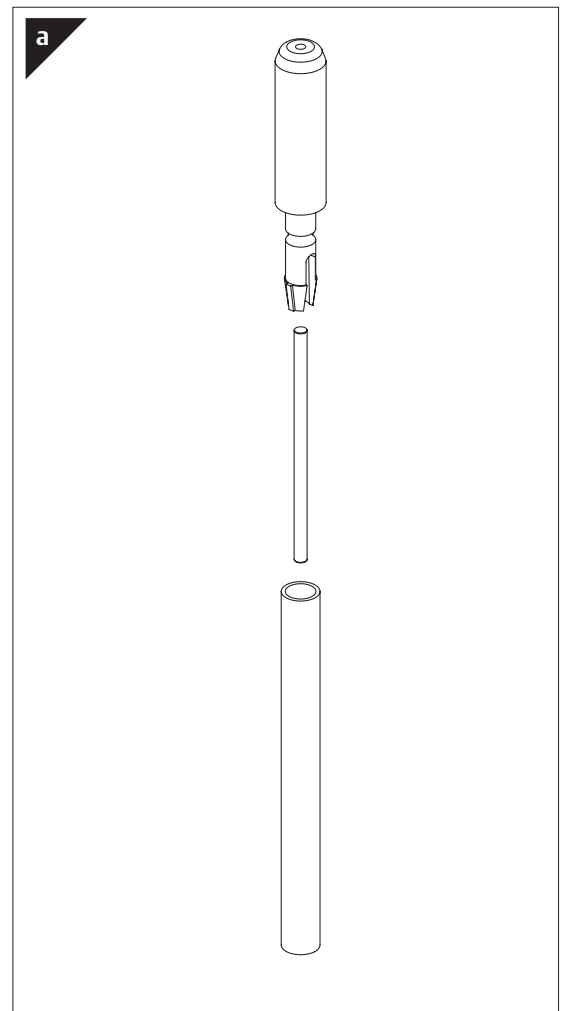
## 4. Assembly of Shootbolt Rod Ends

Trim the lock rods to length allowing for:

- A throw of 22mm
- Length of 'D' tip 44mm
- Engagement into lock racks of 11mm

### a) Plastic Rod Ends

- Insert the steel pin into the plastic 'D' tip. The steel pin should be inserted from the open end rather than the smaller drainage hole
- Insert the combined part into the top of the shootbolt rod
- Crimp the shootbolt rod, by applying pressure on the shootbolt rod in line with the groove around the 'D' tip to ensure the two parts cannot be easily separated. A tool is available for this purpose (P84042)
- Repeat steps 1-3 again for the bottom shootbolt rod
- Insert the rods from the top and bottom of the stile and screw into the lock



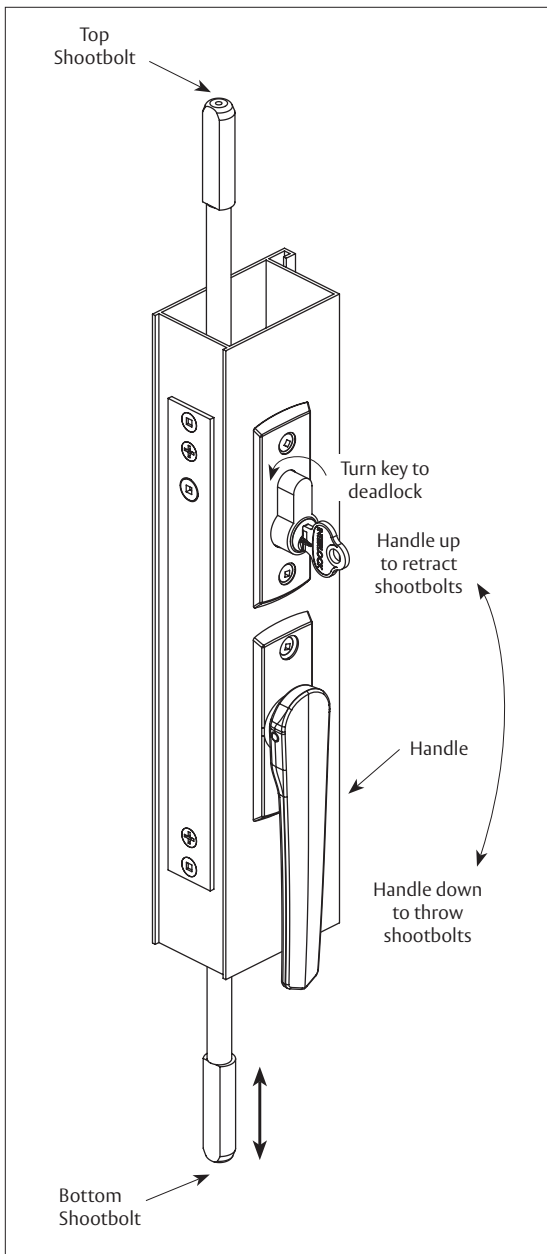
### Troubleshooting

Do I need to tap holes?

No. All screws are self tapping.

Do I have to use the supplied screws?

For best performance, it is recommended that only the supplied screws are used.



## 6. Lock operation

### Shootbolt Operation

- Turn handle to vertical position to throw bolts
- Turn handle to horizontal position to retract bolts
- Deadlocking function operates when bolts are thrown